



Small Animals

CDR vet
X RAY SYSTEM



 **ibis**
X RAY SYSTEMS

CDR vet

CDR vet is a compact radiological table for pet exams.

Built with high quality components, the same used for the construction of equipment for human medicine, in order to guarantee reliability and safety for patients and operators.

A space saving unit and Compact and usable with a normal 230V 50-60 Hz power socket.

CDR Vet can be used with digital detector panels or with existing analog or DR systems that fit into the cassette holder.

The table is already set up for a future installation of a digital acquisition system.

This means that in the event of a future integration of a digital detector, the generator will be able to communicate, bidirectionally, with the acquisition software, allowing the management and modification of the radiological parameters.

CDR vet
X RAY SYSTEM



CDR vet

Reliable: all components are rigorously tested.

Convenient: four-way floating table with extremely quiet mechanical brakes.

Compact: generator built into the unit.

Powerful: up to 32 kW, 425 mA and 125kV

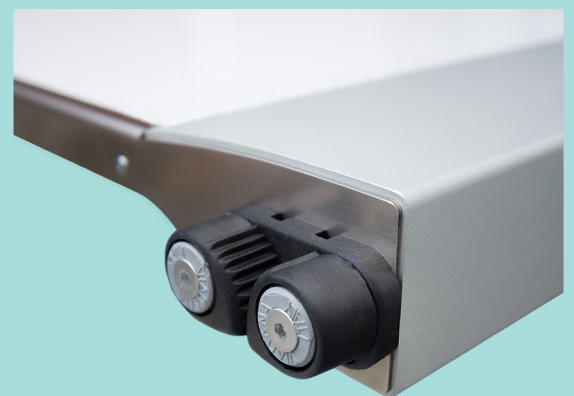
Economical: usable with a normal socket and standard 3kW power.

User friendly: simple and intuitive display.

Quality: removable grid for very high quality images.

Practical: 4 cleats for pulling or fixing the patient.

CDR vet
X RAY SYSTEM



Technical Specification



Generator

- High Frequency 100kHz
- 32 kW - 230V - 50/60 Hz
- Monophase with standard socket
- 40 - 125 kV
- up to 425 mA
- 0,2 - 320 mAs
- 2 or 3 points technique

X-Ray tube

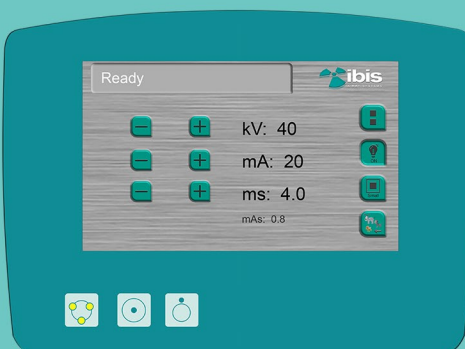
- Rotating Anode
- 3.000 rpm
- 0,6-1,3 mm double focus
- 1200 KHU

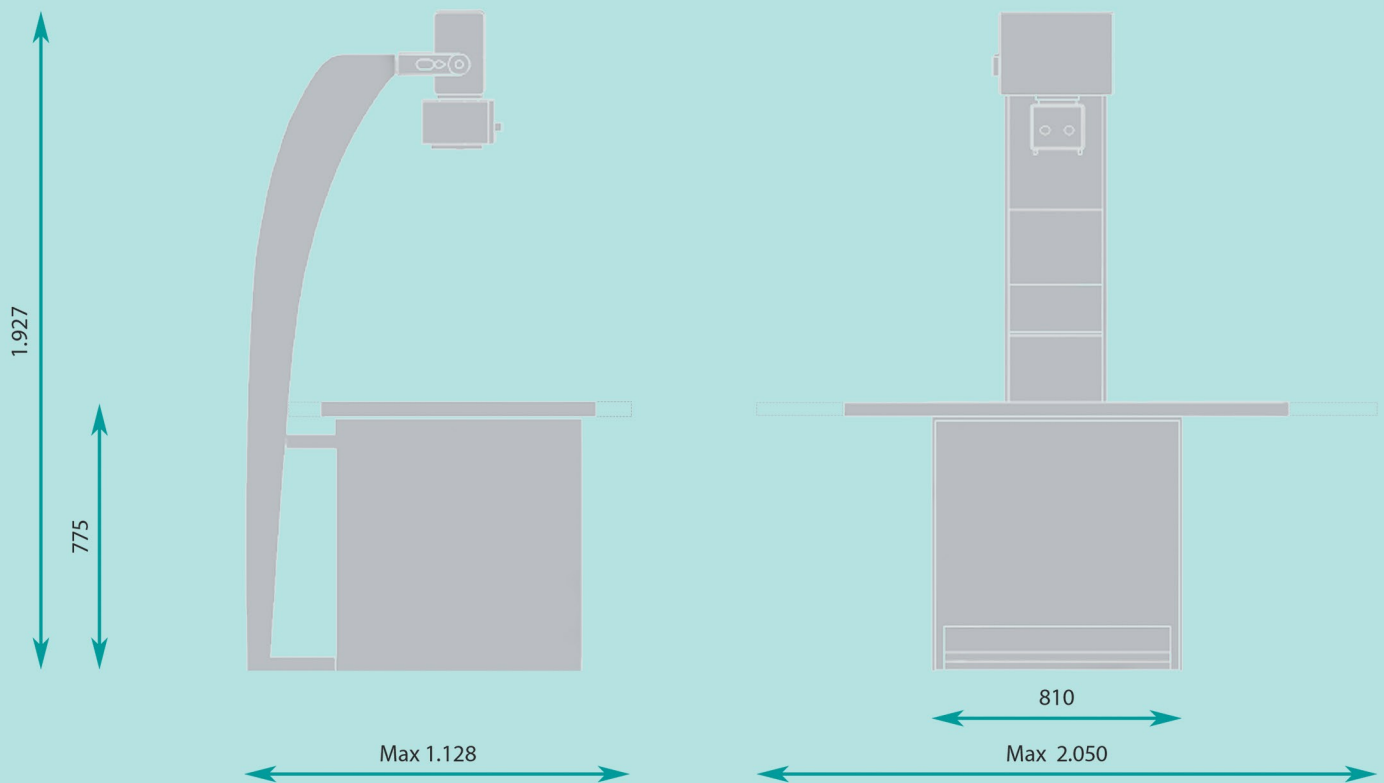
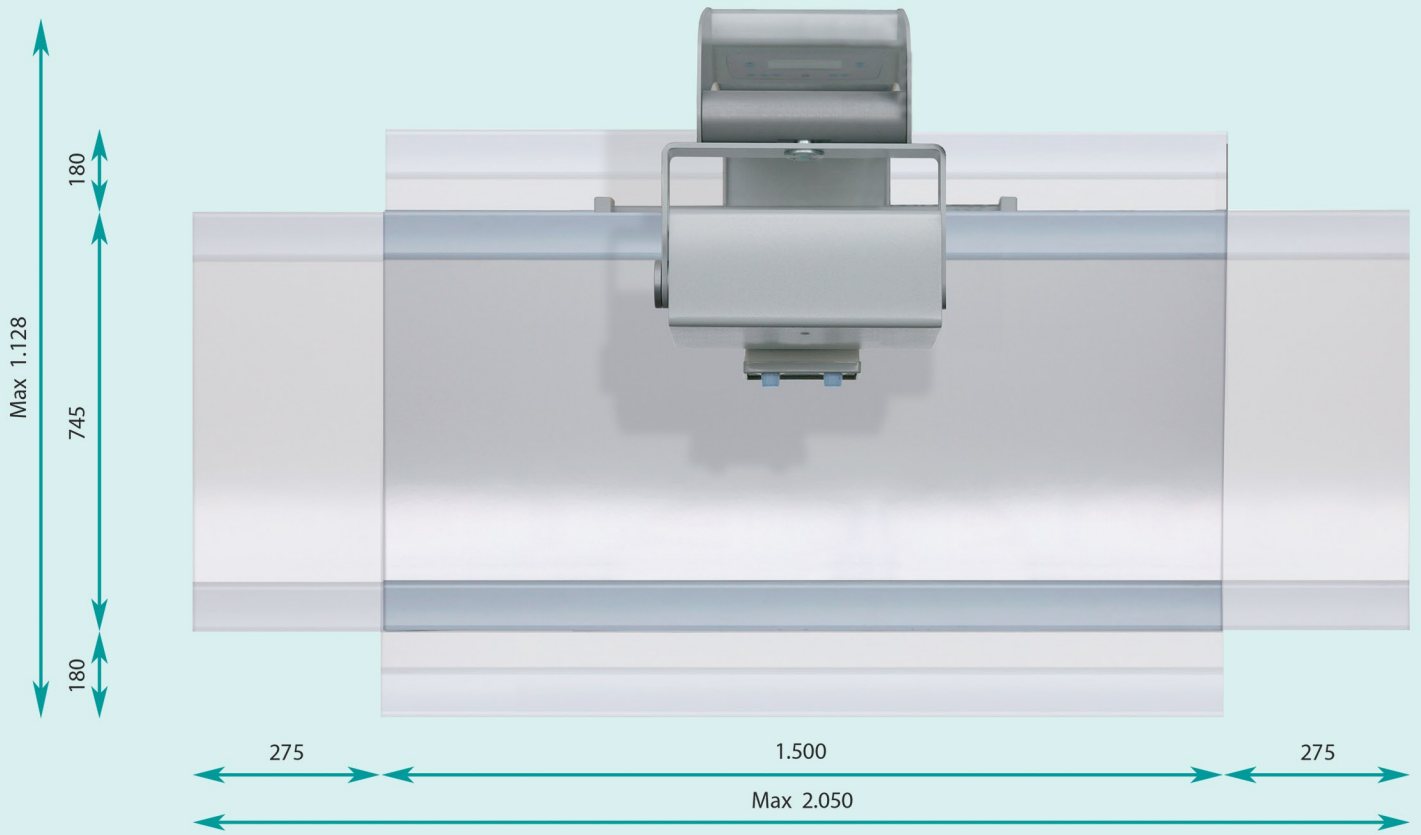
Collimator

- 2 pairs of removable shutters
- LED 250 lux at 100cm
- Temporized at 30 sec.
- Activated by foot pedal
- 43x43cm @ 100 cm DFF

Portacassette

- in stainless steel
- ISO Format







IBIS S.r.l.

Legal Office: Via Monte Grappa, 7 | 24121 Bergamo - Italy

Headquarters: Via Cascina Bruciata, 3 | 24068 Seriate - Bergamo - Italy

VAT Number: IT 02942850161

Ph.: 0039 35 4236343

www.ibisray.com - sales@ibisray.it

